

Trattamenti termici localizzati, Prove di tenuta ad elio, Correnti indotte, Monitoraggio, Estensimetri, Repliche, CnD, Assemblaggio e saldatura.

Via Crocetta, 15 26010 Ripalta Cremasca (Cr). Tel. 0373/689001 - Fax. 0373/268250

e-mail : gc.formenti@tiscali.it

**HEAT
TREATMENT
TEST REPORT N° TT 3924-01**

CUSTOMER

NUOVA OLEODINAMICA BONVICINI S.r.l.
Via Castelleonese S.S. 415 Km 60,600
26023 Grumello Cremonese (CR) ITALY

Our ref. Job: GC 3924
Your ref 55-201300198/1 odp 353388/55 P.O OA1202538 JOB OV201200473
Subjet PWHT OF N°4 WELDS ON N°2 HOLEODYNAMIC CYLINDER Ø i 520
Code / Procedure ASME VIII DIV I LAST ED.
Dwg. 4221 Material S355J2
Place of execution pwht: GENERALE CONTROLLI SRL - RIPALTA CREMASCA (CR)

Specification

Start recording	< 300	°C	Heating rate	80	°C/h max	Cooling rate	80	°C/h max
Holding temperature	600 ± 10	°C	Holding time	2 hours	Switch off	< 300	°C	Cooling: Under Insulation

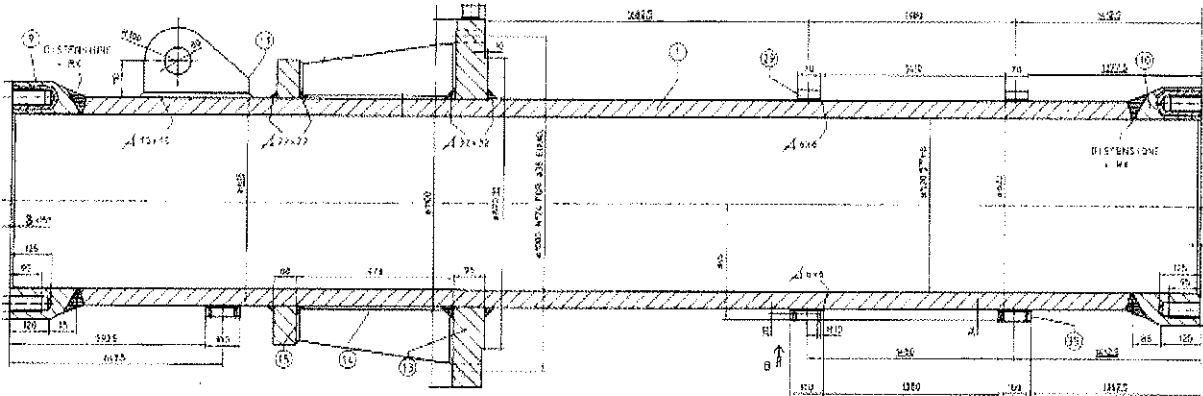
Recorded data

Start recording	270	°C	Heating rate	80	°C/h max	Cooling rate	70	°C/h max
Holding temperature	600	°C	Holding time	2 hours	Switch off	280	°C	Cooling: Under Insulation


Testing equipment

Control unit : N°1 R6 NOVA
Termocouples type "K" n° : 8 Insulation Ceramic fibre Inside Outside
Temperature recorders : 037/01 - 014/01
Diagram enclosed : TT 3924-01 A/B

Sketch



Note:

Date	Operator	Customer	Inspector
15/04/2013			





Ronald J. ...

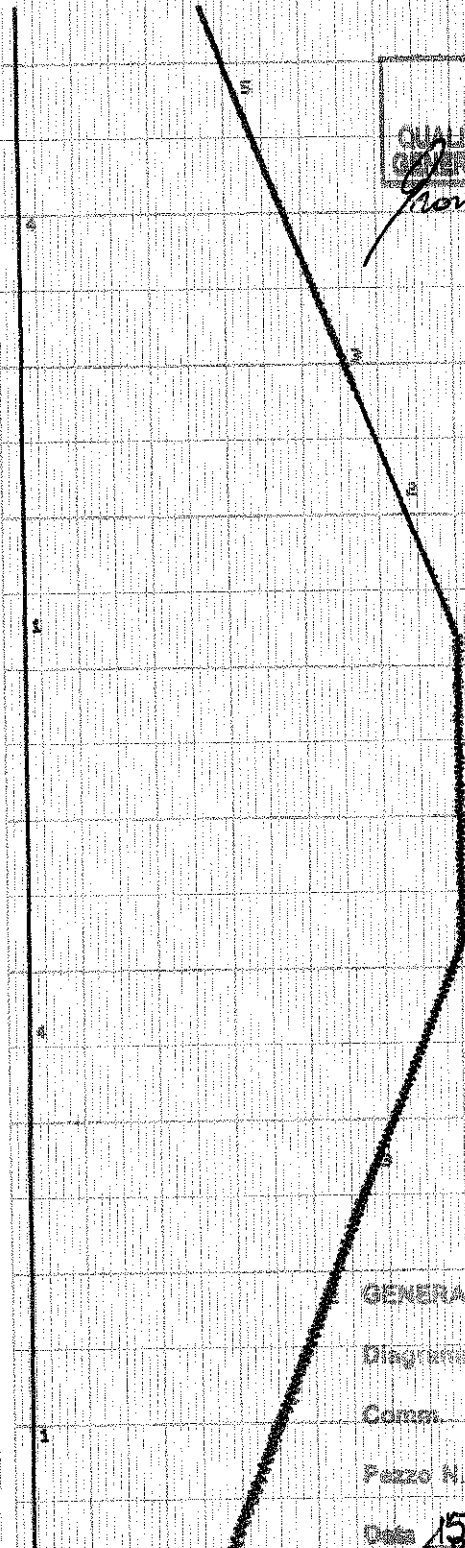


CHART No. 14-10101

GENERALE CONTROLLI

Diagramma N. TT 392/01

Comm. N. 0V201200473

Pezzo N. _____

Data 15/04/13 Operatore *Myfi*

Trattamenti termici localizzati, Prove di tenuta ad olio, Correnti indotte, Montioraggio, Estensimetria, Repliche, CnD, Assemblaggio e saldatura.

Via Crocetta, 15 26010 Ripalta Cremasca (Cr). Tel. 0373/689001 - Fax. 0373/268250

e-mail : gc.formenti@tiscali.it

**HEAT
TREATMENT
TEST REPORT N° TT 3924-02**

CUSTOMER

NUOVA OLEODINAMICA BONVICINI S.r.l.
Via Castelleonese S.S. 415 Km 60,600
26023 Grumello Cremonese (CR) ITALY

Our ref. Job: GC 3924
Your ref 55-201300198/1 odp 353388/55 P.O OA1202538 JOB OV201200473
Subjet PWHT OF N°4 WELDS ON N°2 HOLEODYNAMIC CYLINDER Ø i 520
Code / Procedure ASME VIII DIV 1 LAST ED.
Dwg. 4221 Material S355J2
Place of execution pwht: GENERALE CONTROLLI SRL - RIPALTA CREMASCA (CR)

Specification

Start recording	< 300	°C	Heating rate	80	°C/h max	Cooling rate	80	°C/h max
Holding temperature	600 ± 10	°C	Holding time	2 hours	Switch off	< 300	°C	Cooling: Under Insulation

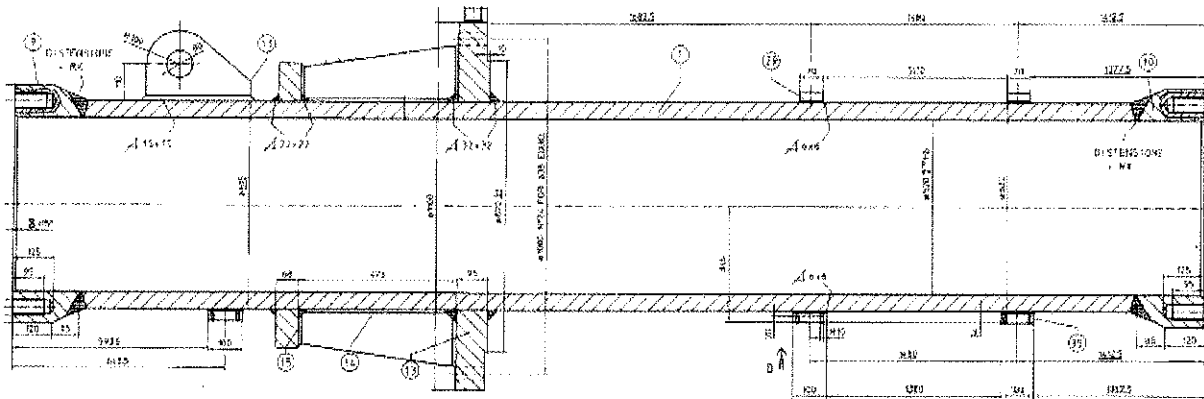
Recorded data

Start recording	270	°C	Heating rate	80	°C/h max	Cooling rate	70	°C/h max
Holding temperature	600	°C	Holding time	2 hours	Switch off	280	°C	Cooling: Under Insulation


Testing equipment

Control unit : N°1 R6 NOVA
 Termocouples type "K" n° : 8 Insulation Ceramic fibre Inside Outside
 Temperature recorders : 037/01 - 014/01
 Diagram enclosed : TT 3924-02 A/B

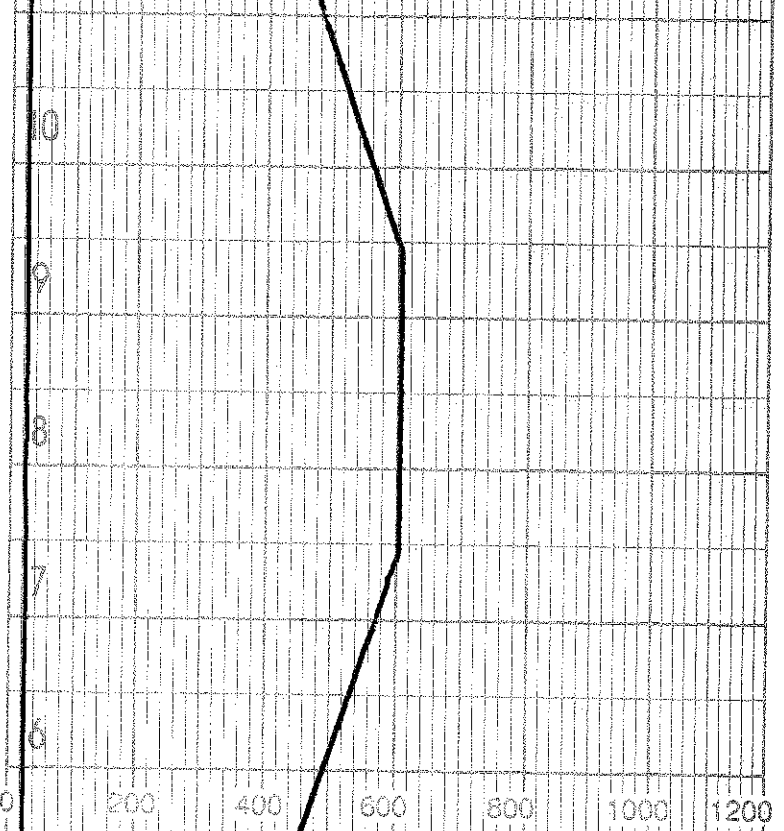
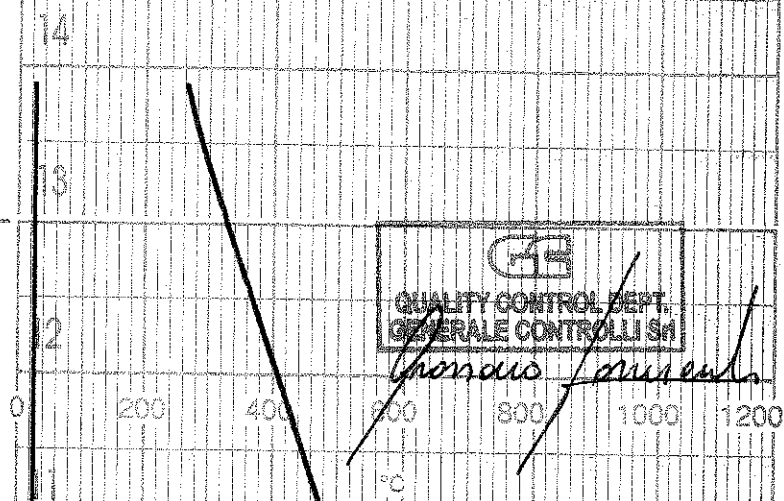
Sketch



Note:

Date	Operator	Customer	Inspector
19/04/2013	 QUALITY CONTROL DEPT. GENERALE CONTROLLI Srl		

CART 0007



GENERALE CONTROLLI

Diagramma N° *TT 3924-02*

Comm. N. *0V201200473*

Pezzo N. _____ Pollice _____

Data *19/04/13* Operatore *Smezzetta*

CART 0007

Trattamenti termici localizzati, Prove di tenuta ad elio, Correnti indotte, Monitoraggio, Estensimetria, Repliche, C.N.D., Assemblaggio e saldatura.

Via Crocetta, 15 26010 Ripalta Cremasca (Cr). Tel. 0373/689001 - Fax. 0373/268250

e-mail : gc.formenti@tiscali.it

**HEAT
TREATMENT
TEST REPORT N° TT 3924-03**

CUSTOMER

NUOVA OLEODINAMICA BONVICINI S.r.l.
Via Castelleonese S.S. 415 Km 60,600
26023 Grumello Cremonese (CR) ITALY

Our ref. Job: GC 3924
Your ref 55-201300198/1 odp 353388/55 P.O OA1202538 JOB OV201200473
Subjet PWHT OF N°6 WELDS ON N°3 HOLEODYNAMIC CYLINDER Ø i 520
Code / Procedure ASME VIII DIV 1 LAST ED.
Dwg. 4221 Material S355J2
Place of execution pwht: GENERALE CONTROLLI SRL - RIPALTA CREMASCA (CR)

Specification

Start recording	< 300	°C	Heating rate	80	°C/h max	Cooling rate	80	°C/h max
Holding temperature	600 ± 10	°C	Holding time	2 hours	Switch off	< 300	°C	Cooling: Under Insulation

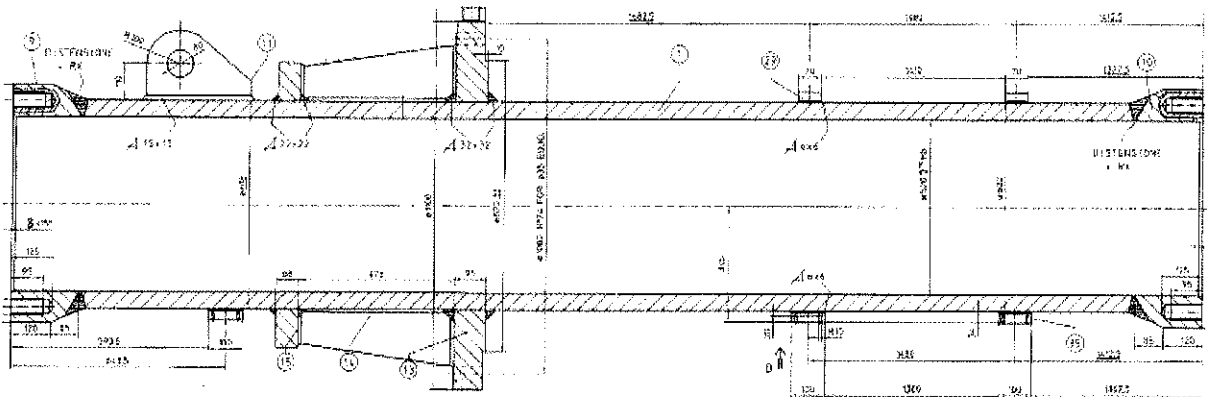
Recorded data

Start recording	270	°C	Heating rate	70	°C/h max	Cooling rate	80	°C/h max
Holding temperature	600	°C	Holding time	2 hours	Switch off	280	°C	Cooling: Under Insulation


Testing equipment

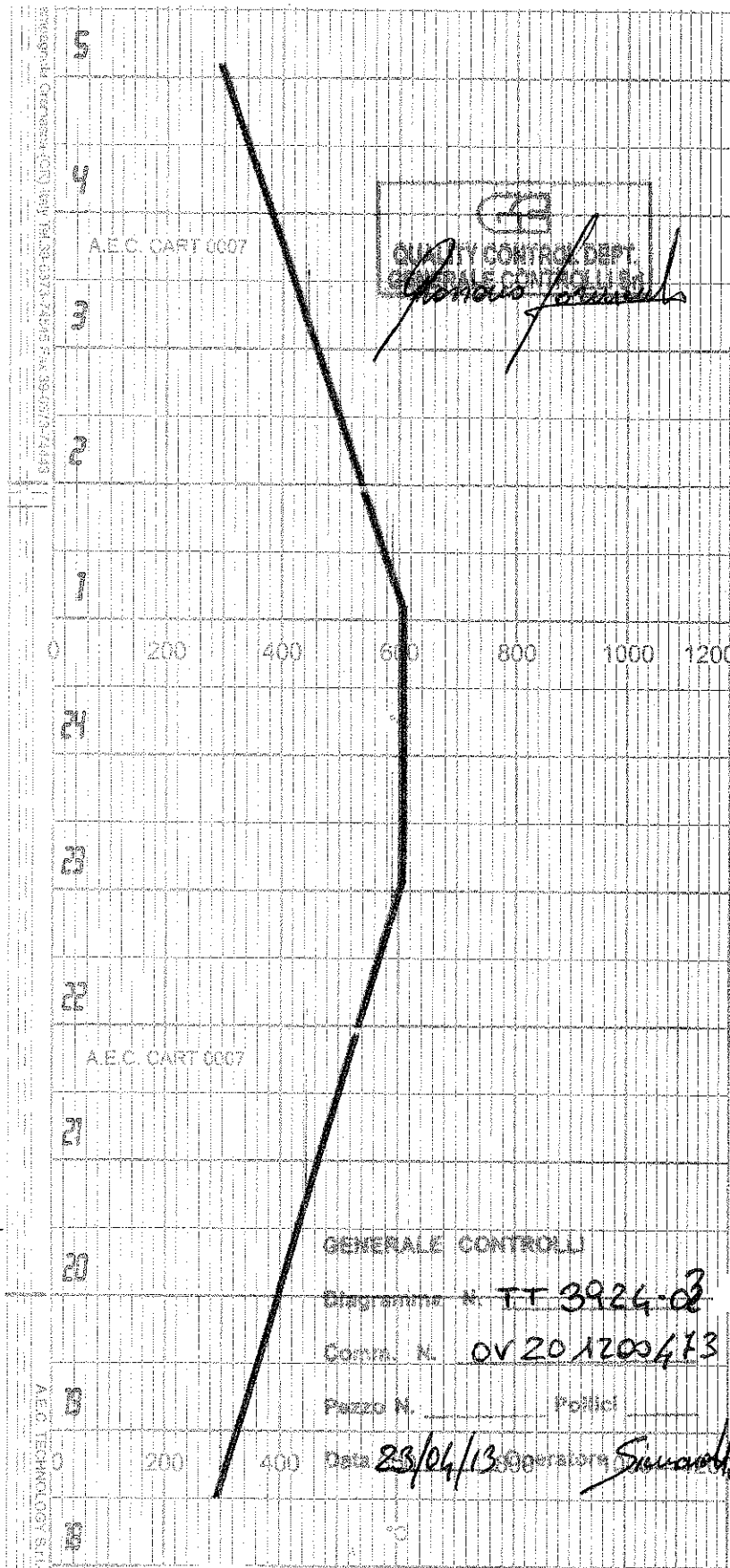
Control unit : N°2 R6 NOVA
Thermocouples type "K" n° : 12 Insulation Ceramic fibre Inside Outside
Temperature recorders : 037/01 - 014/01
Diagram enclosed : TT 3924-03 A/B

Sketch



Note:

Date	Operator	Customer	Inspector
23/04/2013	 QUALITY CONTROL DEPT. GENERALE CONTROLLI S.r.l.		



A.E.C. CART 0007

QUALITY CONTROL DEPT.
 CONTROLLO QUALITÀ
[Signature]

A.E.C. CART 0007

GENERALE CONTROLLI

Diagramma n. TT 3924-02

Corta. N. OV 20 1200473

Pezzo N. _____ Pollici _____

Data 23/04/13 Operatore *[Signature]*